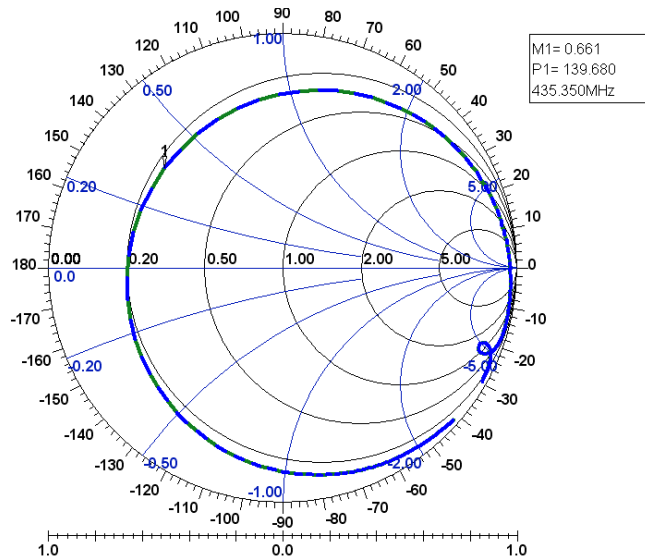


SS435FB2 SAW-Temperature sensor (1-port Resonator)

This product is lead-free in compliance with RoHs 2002/95/EC.

Typical performance: S11 @ 23°C



Test Conditions:

RF power	-10 dBm
Temperature	23 °C
DC Voltage	0 V
Terminating source impedance (Z _S):	50 Ω
Terminating load impedance (Z _L):	50 Ω

		minimum	typical	maximum	unit
Nominal frequency *1	F _n	435.725	435.740	435.755	MHz
Insertion Loss	I _L		1.0	1.3	dB
Unloaded quality factor	Q _U		8200		
Ageing @200°C			+0.3		K/1000h
Equivalent Circuit elements					
Motional capacitance	C ₁		3.7		fF
Motional inductance	L ₁		36.056		μH
Motional resistance	R ₁		12		Ω
Parallel capacitance	C ₀		1.43		pF
Operating temperature range		-40		200	°C
Temperature coefficient of frequency	TC _F				
	α		0.034		ppm/K ²
	β		-40.4		ppm/K
	δ		911.0		ppm

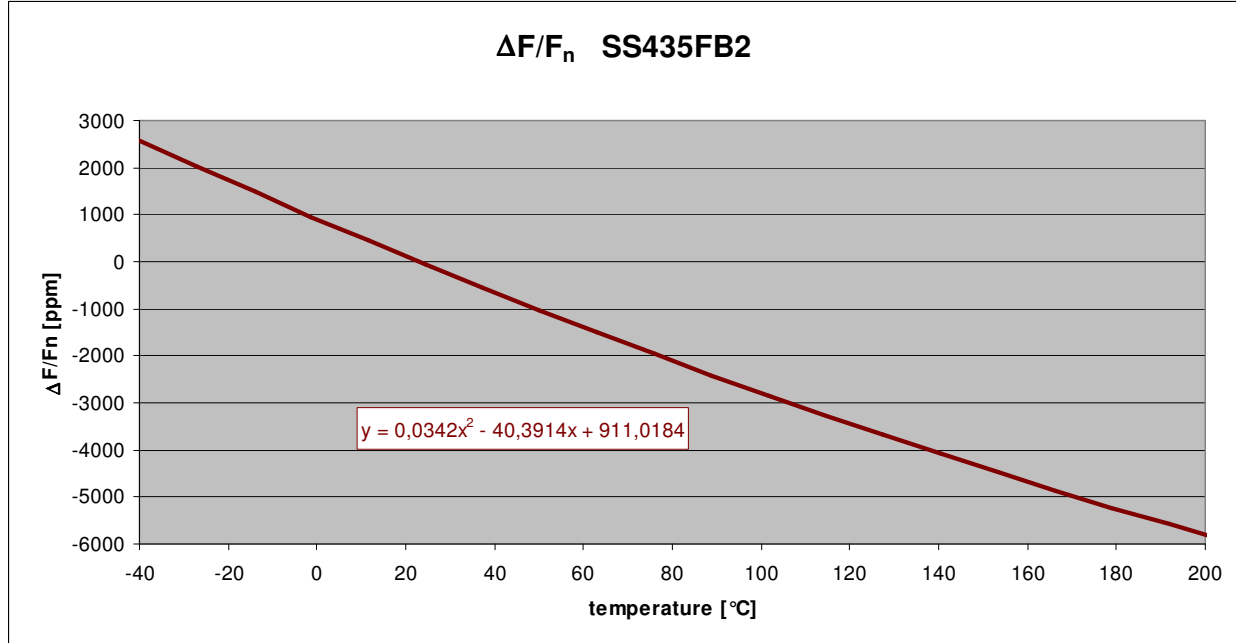
Electrostatic Sensitive Device

*1 Nominal frequency is defined as minimum s11.

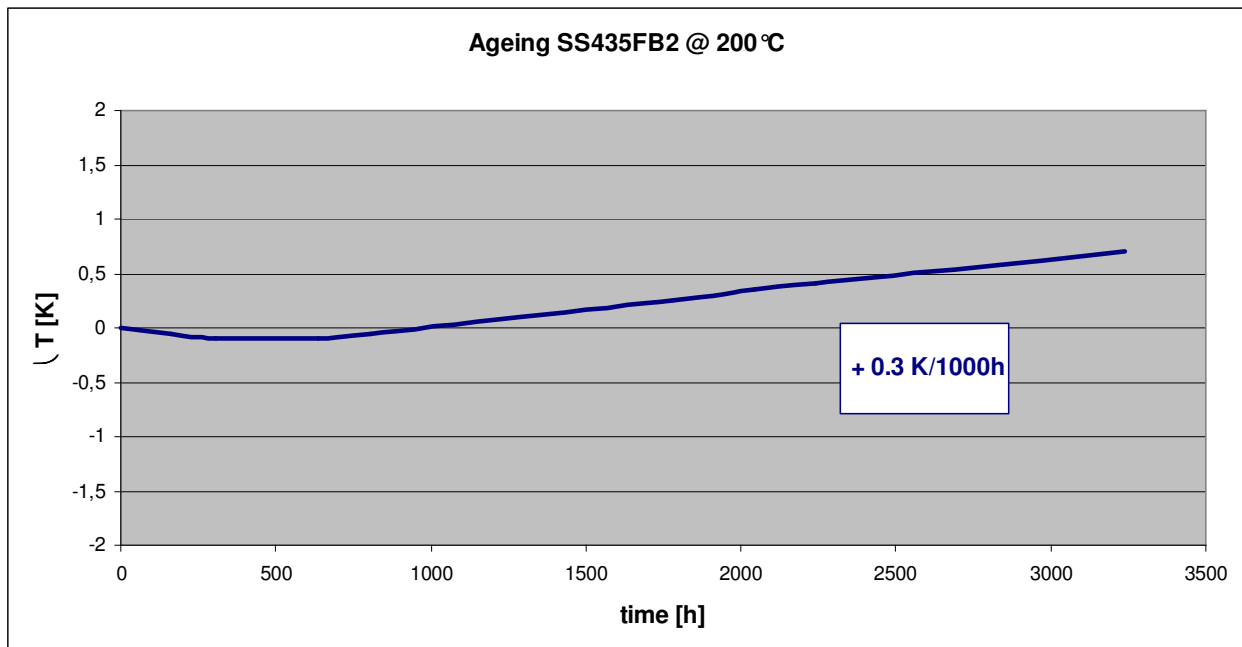
Other tolerances of centre frequency on request.

Temperature coefficient of frequency

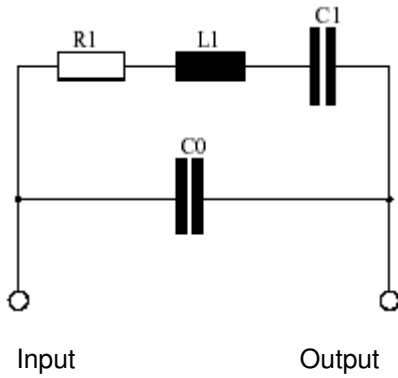
$$\Delta F/F_n = \alpha \cdot T^2 + \beta \cdot T + \delta \text{ with } T \text{ in } ^\circ\text{C}$$



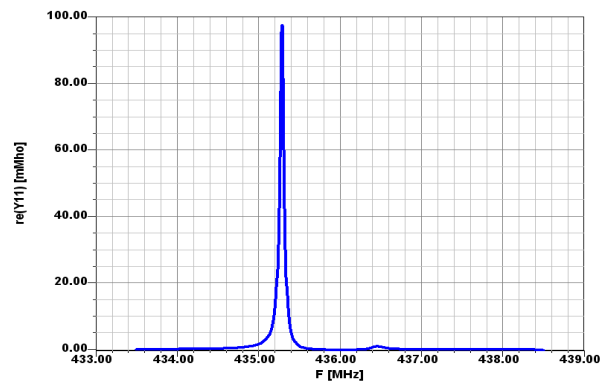
Ageing @ 200°C



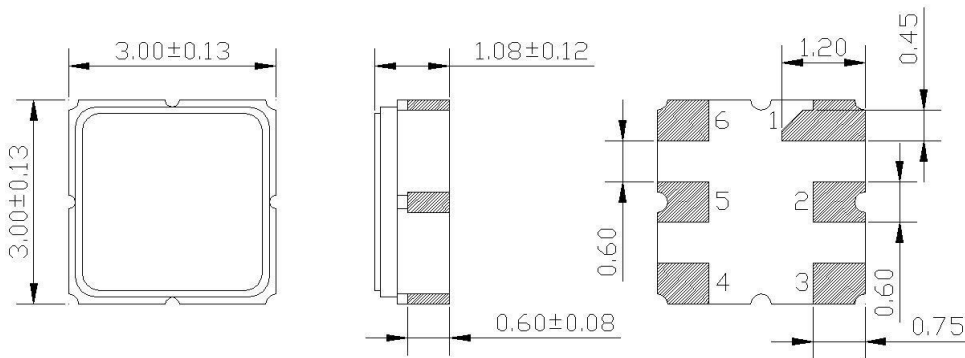
Equivalent Circuit



Admittance



Package: S25 / 3.0*3.0mm²

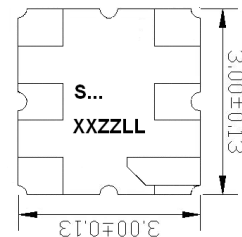


All dimensions in mm

Pin 1	Case ground	Pin 6	to be grounded
Pin 2	Antenna (Input / Output)	Pin 5	to be grounded
Pin 3	to be grounded	Pin 4	Case ground

Marking

S...	Type
XXZZLL	Date code
XX	Year
ZZ	Calendar week
LL	Lot Number



Tape & Reel

Packing

The product shall be properly packed to avoid damaged during transportation and storage.

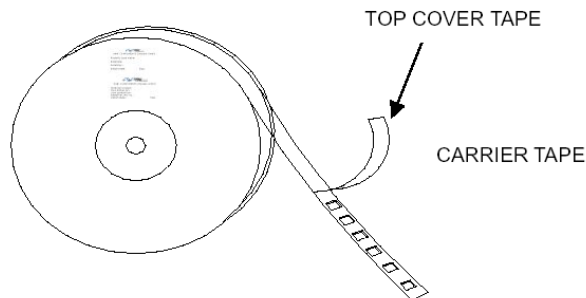
Reeling Quantity

4.000 pcs/reel

Taping Structure

Tape & Reel Orientation

The tape shall be wound around the reel in the direction shown below.




Taping Structure

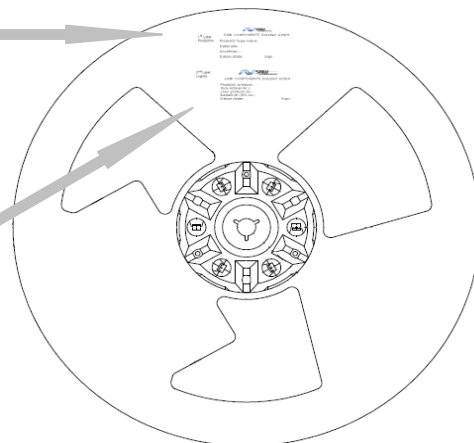
Label

1st Label
Production


 SAW COMPONENTS Dresden GmbH
 Produkt/ type name:
 Datecode:
 Anzahl/pc.:
 Datum /date: Sign.

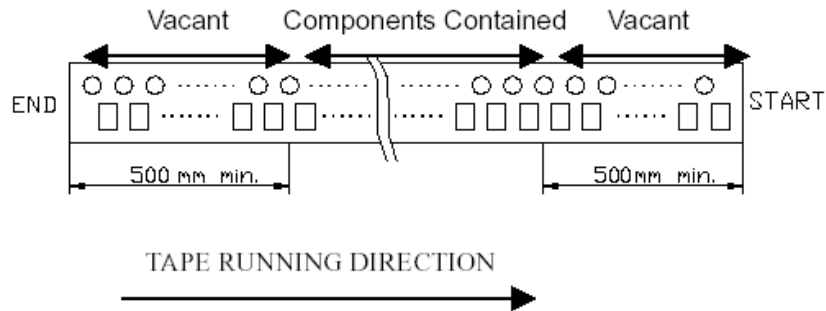
2nd Label
Logistic


 SAW COMPONENTS Dresden GmbH
 Produkt/ product:
 Ihre Artikel-Nr./
 your product-no.:
 Bestell-Nr./PO-no.:
 Datum /date: Sign.



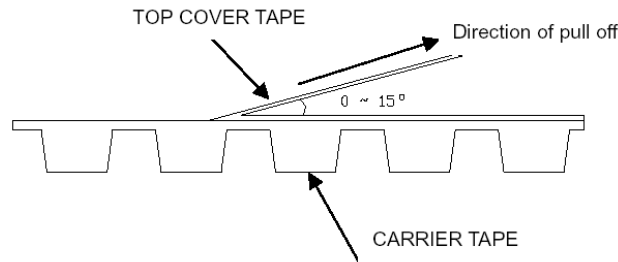
Label Reel

Leader part and vacant position specifications

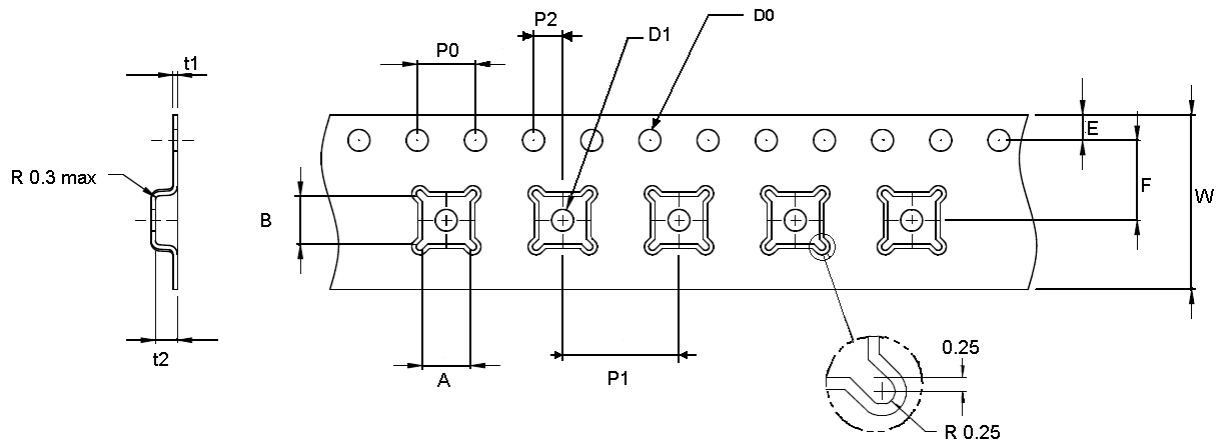


Tape Specifications

Tensile Strength of Carrier Tape: 4.4N/mm width
 Top Cover Tape Adhesion (see figure shown below)
 pull off angle: 0~15°
 speed : 300mm/min.
 force : 20~70g

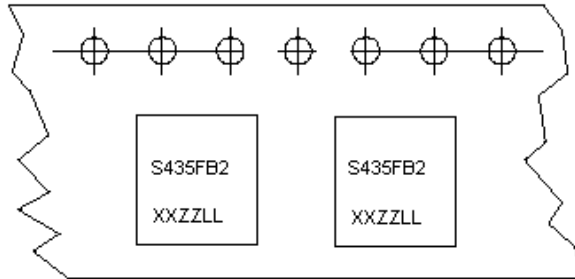


Carrier Tape Dimensions



W	F	E	P0	P1	P2	D0	D1	t1	t2	A	B
12.0	5.5	1.75	4.0	8.0	2.0	1.5	1.5	0.3	1.5	3.3	3.3
±0.3	±0.05	±0.1			±0.05	+0.1		±0.05			

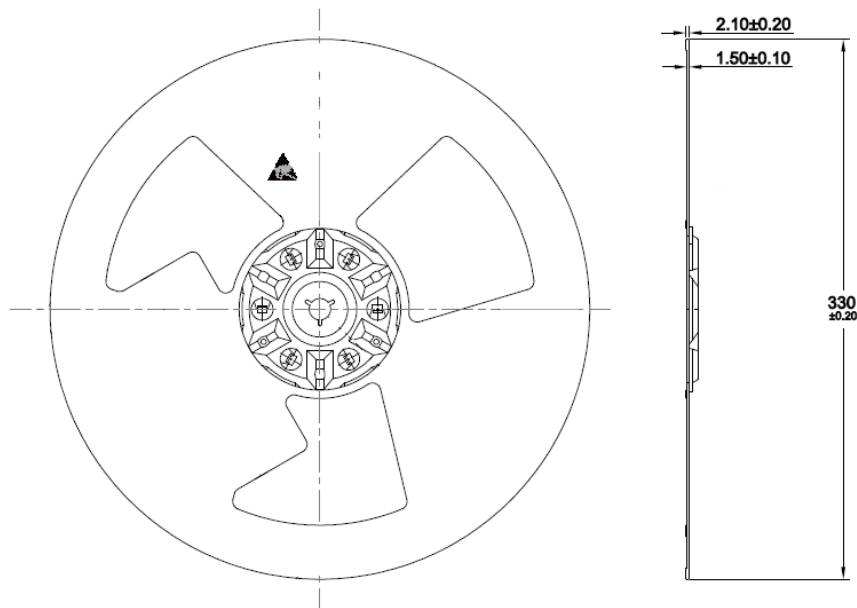
Part Direction



Tape Running Direction



Reel Dimensions



Unit: mm