

## ST2450F – SAW TAG 50bit

**This product is lead-free in compliance with RoHs 2002/95/EC.**

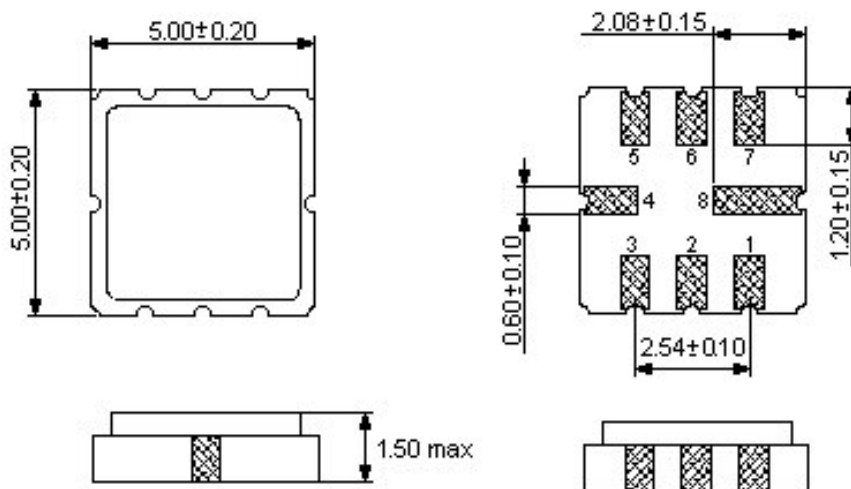
**Test conditions:**

RF power	0 dBm	
temperature:	23 °C	
Terminating source impedance (Z <sub>S</sub> ):	50 Ω	No matching
Terminating load impedance (Z <sub>L</sub> ):	50 Ω	No matching

	minimum	typical	maximum	unit
Centre frequency		2.442		GHz
Band width		105		MHz
Return Loss	8	11		dB
Impedance Z		30    6.0		Ω    pF
Codes			1.00 10 <sup>15</sup>	
Rejection Code	41.5	38		dB
RF Power			10	dBm
Operating temperature range	-40		125	°C
Storage temperature range	-40		125	°C
Temperature coefficient of frequency		94		ppm/K

### Electrostatic Sensitive Device

**Package: S51 / 5\*5mm<sup>2</sup>**



All dimensions in mm.

Input	3/5
Output	5/3
Ground	1, 2, 4, 6, 7, 8

## Typical performance:

