

ST2450E – SAW TAG 39bit

This product is lead-free in compliance with RoHs 2002/95/EC.

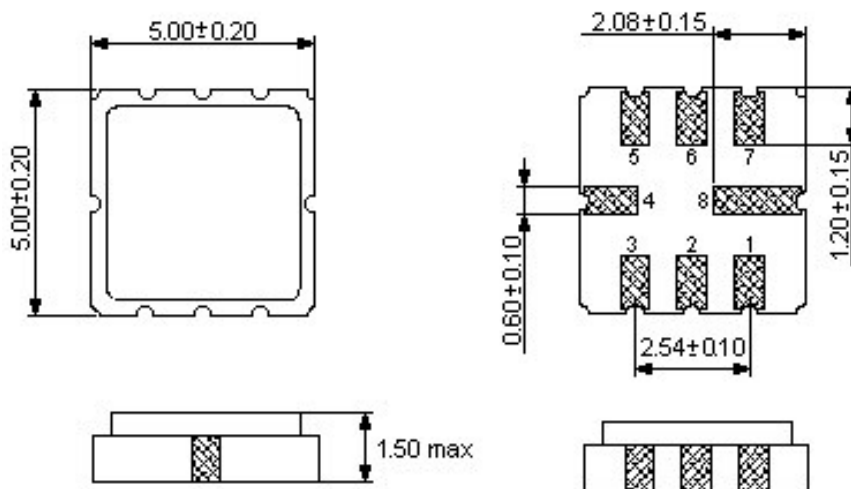
Test conditions:

RF power	0 dBm	
temperature:	23 °C	
Terminating source impedance (Z _S):	50 Ω	No matching
Terminating load impedance (Z _L):	50 Ω	No matching

	minimum	typical	maximum	unit
Centre frequency		2.442		GHz
Band width		105		MHz
Return Loss	8	11		dB
Impedance Z		30 6.0		Ω pF
Codes			6.75 10 ¹¹	
Rejection Code	41.5	38		dB
RF Power			10	dBm
Operating temperature range	-40		125	°C
Storage temperature range	-40		125	°C
Temperature coefficient of frequency		94		ppm/K

Electrostatic Sensitive Device

Package: S51 / 5*5mm²



All dimensions in mm.

Input 3/5
 Output 5/3
 Ground 1, 2, 4, 6, 7, 8

Typical performance:

