

ST2450BM2 – HIGH TEMPERATURE SAW TAG 16bit

This product is lead-free in compliance with RoHs 2002/95/EC.

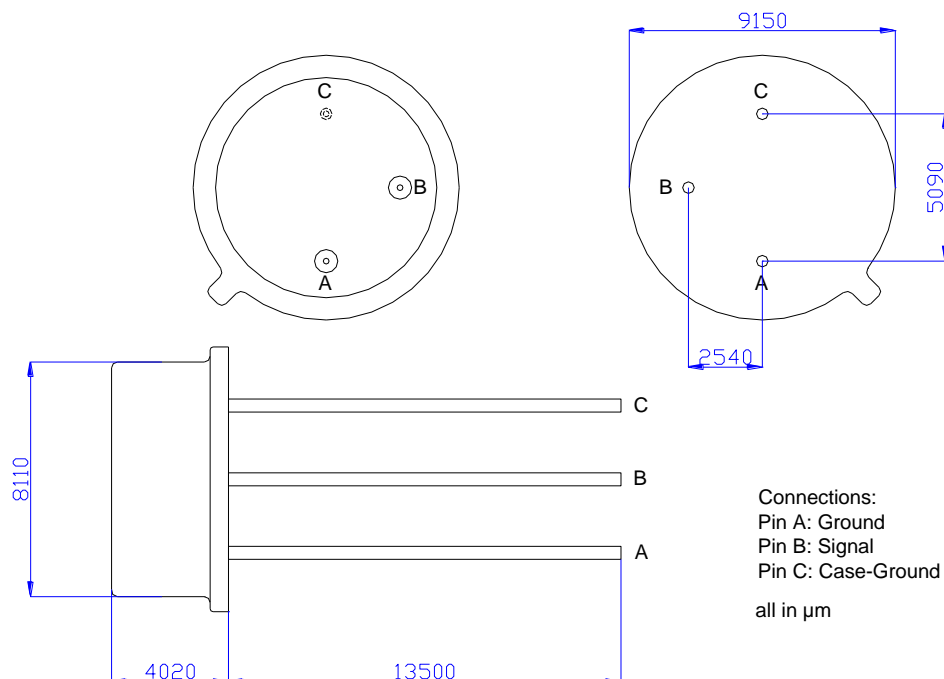
Test conditions:

RF power	0 dBm	
temperature:	23 °C	
Terminating source impedance (Z_S):	50 Ω	No matching
Terminating load impedance (Z_L):	50 Ω	No matching

	minimum	typical	maximum	unit
Centre frequency		2.442		GHz
Band width		105		MHz
Return Loss	15	22		dB
Impedance Z		60 0		Ω pF
Codes			85300	
Rejection Code	36	33		dB
RF Power			10	dBm
Operating temperature range	-40		200	°C
Storage temperature range	-40		200	°C
Temperature coefficient of frequency		94		ppm/K

Electrostatic Sensitive Device

Package: T039



Typical performance:

Tr2 S11 Smith (R+jX) scale 1.000U [F1]

1	2.441500900	GHz	58.716	Ω	1.7786	ζ
>2	2.454198002	GHz	52.910	Ω	9.2732	ζ

