

## ST2450AM4 – ULTRA HIGH TEMPERATURE SAW TAG 16bit

This product is lead-free in compliance with RoHs 2002/95/EC.

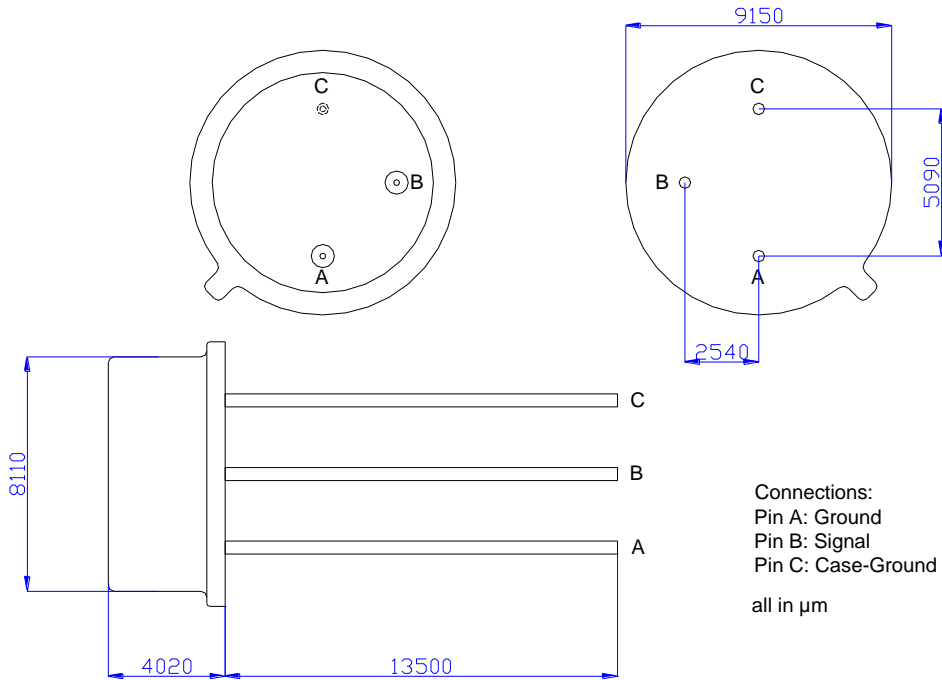
### Test conditions:

|   |             |
|---|-------------|
| RF power                                | -10 dBm     |
| temperature:                            | 23 °C       |
| Terminating source impedance ( $Z_S$ ): | 50 $\Omega$ |
| Terminating load impedance ( $Z_L$ ):   | 50 $\Omega$ |

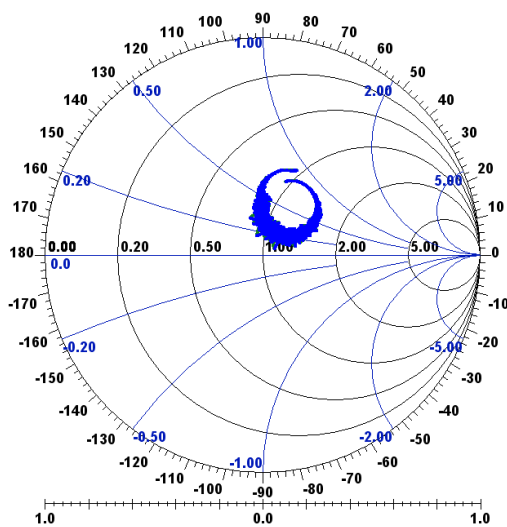
|                                       |        | minimum | typical | maximum    | unit     |
|---------------------------------------|--------|---------|---------|------------|----------|
| Centre frequency                      | $f_c$  | 2430    | 2.442   | 2454       | GHz      |
| Band width                            |        |         | 105     |            | MHz      |
| Return Loss                           |        | 15      | 20      |            | dB       |
| Impedance Z @ 2442MHz                 |        | 45      | 50      | 55         | $\Omega$ |
| Codes                                 |        |         |         | 85320      |          |
| Rejection Code                        |        | -43     | -39     |            | dB       |
| Time delay code                       |        | 0.86    |         | 2.29       | $\mu$ s  |
| Number of reflector bits              |        |         | 6       |            |          |
| Temperature dependence rejection code |        |         |         |            |          |
| Start reflector                       |        |         | -0.033  |            | dB/K     |
| Stop reflector                        |        |         | -0.057  |            | dB/K     |
| Ageing @ 350°C / 1000h                |        |         |         |            |          |
| Shift rejection Code                  |        |         | -1      | -2         | dB       |
| Shift time delay                      |        |         | 0       | +/-0.2     | ns       |
| RF Power                              |        |         |         | 10         | dBm      |
| <b>Operating temperature range</b>    |        | -40     |         | <b>350</b> | °C       |
| <b>Storage temperature range</b>      |        | -40     |         | <b>350</b> | °C       |
| Temperature coefficient of frequency  | $TC_F$ |         | 94      |            | ppm/K    |

Electrostatic Sensitive Device

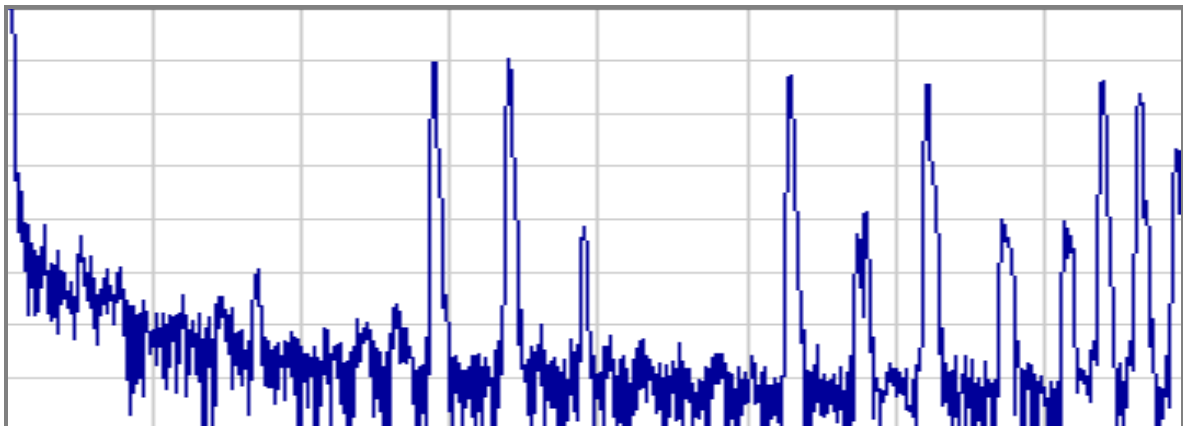
**Package: T039**



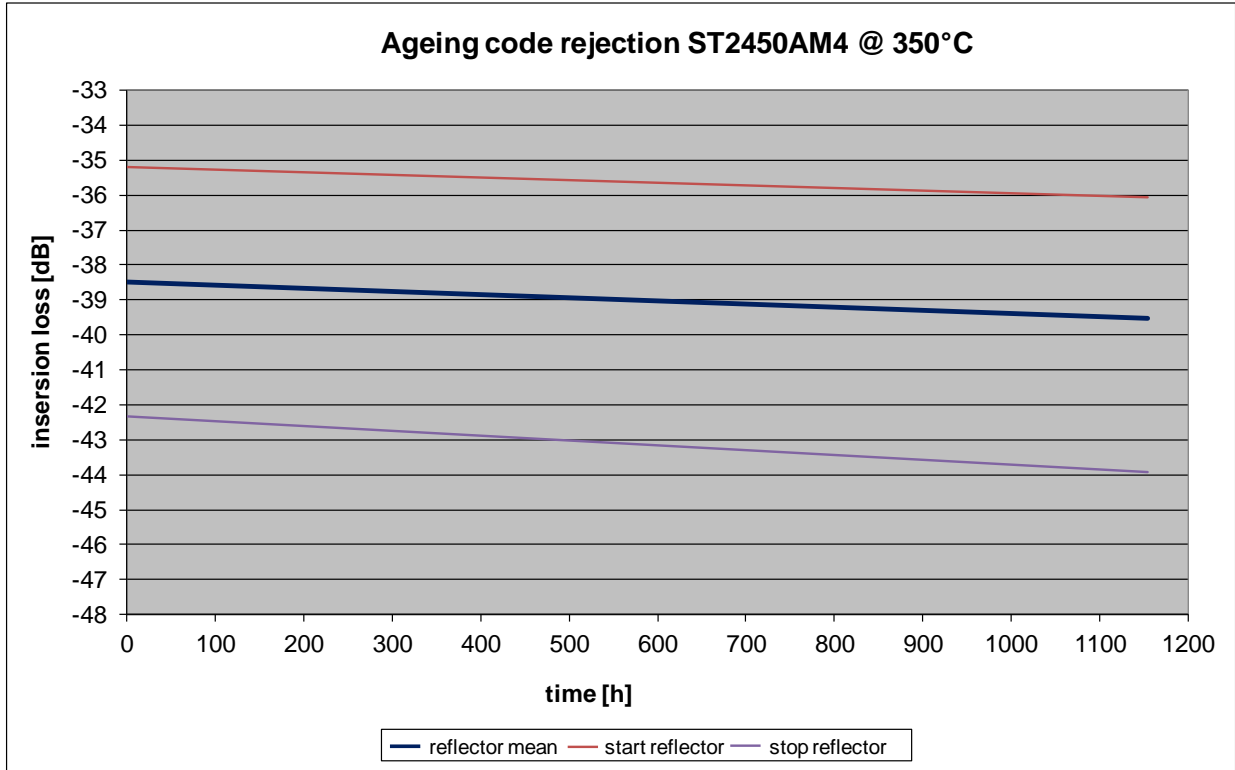
**Typical performance:**  
**S11:**



**Time domain:**



**Ageing:**



**Temperature dependence rejection:**

