

SR869B 1-port Resonator

This product is lead-free in compliance with RoHs 2002/95/EC.

Test Conditions:

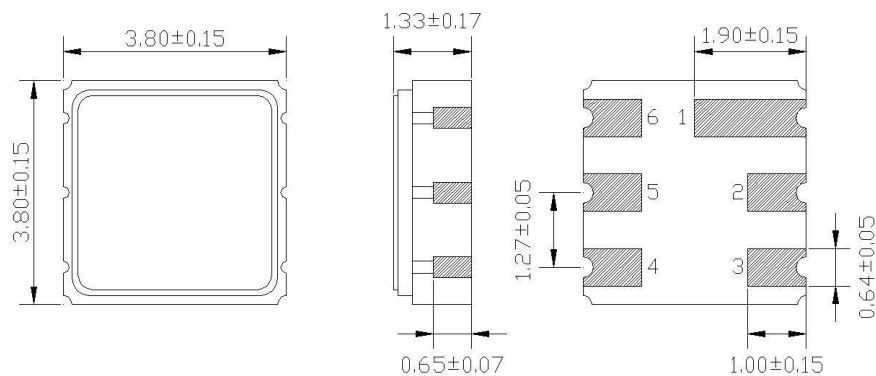
RF power	0 dBm
Temperature	23 °C
DC Voltage	0 V
Terminating source impedance (Z_S):	50 Ω
Terminating load impedance (Z_L):	50 Ω

		minimum	typical	maximum	unit
Centre frequency ^{*1}	f_C	868.8	868.95	869.1	MHz
Insertion Loss	I_L		1.0	1.7	dB
Unloaded quality factor	Q_U	8000	8500		
Ageing of center frequency				50	ppm
Equivalent Circuit elements					
Motional capacitance	C_1		1.7		fF
Motional inductance	L_1		19.757		μ H
Motional resistance	R_1		12.7		Ω
Parallel capacitance	C_0		2.7		pF
Operating temperature range		-40		+125	°C
Storage temperature range		-40		+125	°C
Turnover temperature	T_0	15		30	°C
Temperature coefficient of frequency	TC_F		-0.032		ppm/K ²

^{*1} Centre frequency is defined as maximum of the real part of the admittance.

Electrostatic Sensitive Device

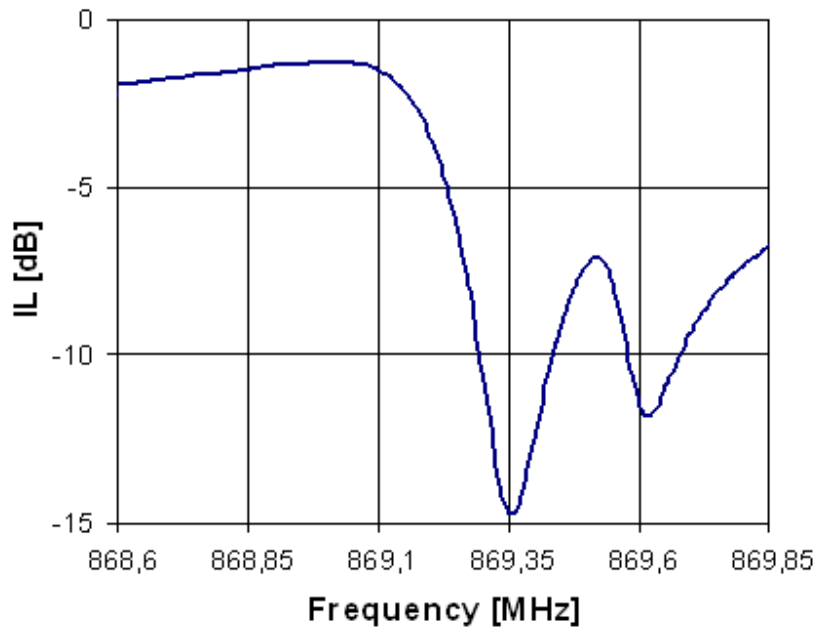
Package: S35 / 3.8*3.8mm²



Pin 2 Input
 Pin 5 Output

Pin 1, 3, 4, 6 Case Ground

Typical performance:



Equivalent Circuit:

