

SR404A 1-port Resonator

This product is lead-free in compliance with RoHS 2002/95/EC.

Test Conditions:

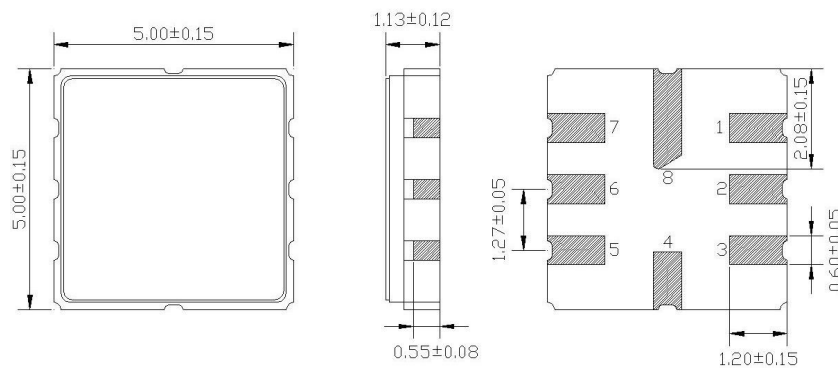
RF power	0 dBm
Temperature	23 °C
DC Voltage	10 V
Terminating source impedance (Z_S):	50 Ω
Terminating load impedance (Z_L):	50 Ω

		minimum	typical	maximum	unit
Centre frequency	f_C	403.475	403.55	403.625	MHz
Insertion Loss	I_L		1.1	1.8	dB
Unloaded quality factor	Q_U	10.000	18.000		
Ageing of center frequency				50	ppm
Equivalent Circuit elements					
Motional capacitance	C_1		1.62		fF
Motional inductance	L_1		95.994		μ H
Motional resistance	R_1		13		Ω
Parallel capacitance	C_0		2.3		pF
Operating temperature range		-40		+125	°C
Storage temperature range		-40		+125	°C
Turnover temperature	T_0	15		30	°C
Temperature coefficient of frequency	TC_F		-0.032		ppm/K ²

*1 Centre frequency is defined as maximum of the real part of the admittance.

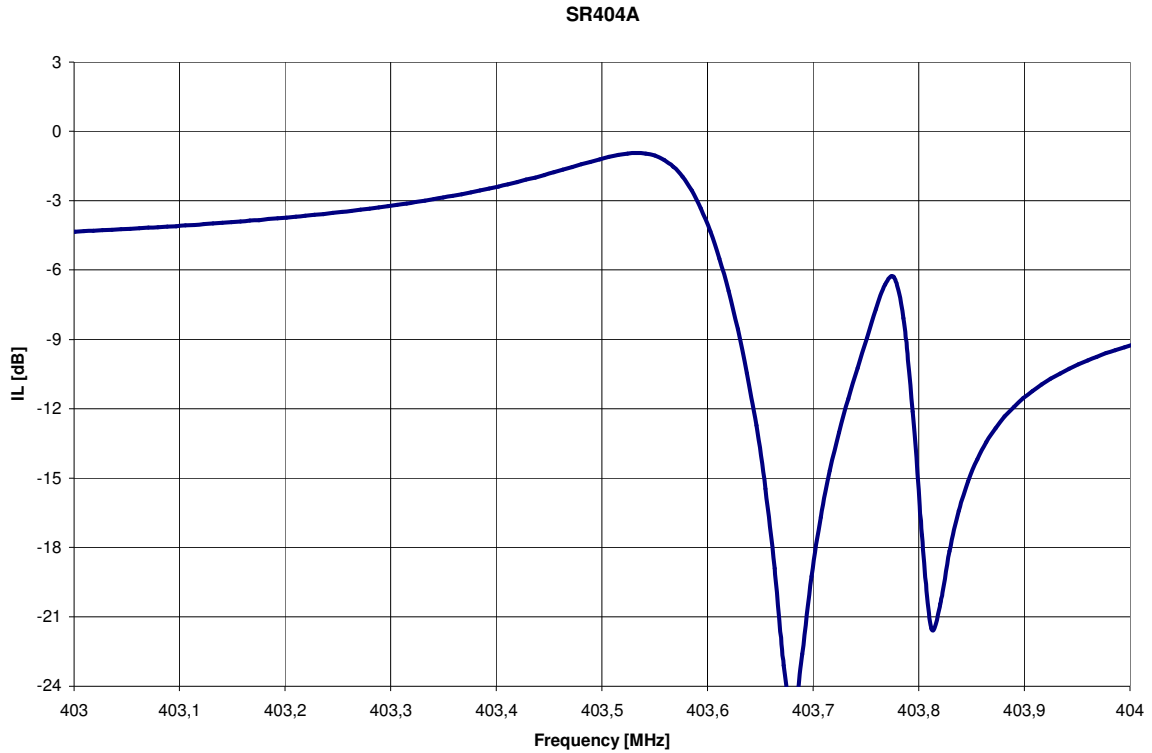
Electrostatic Sensitive Device

Package: S52 / 5.0*5.0mm²



Pin 2 Input
Pin 6 Output
Pin 4, 8 Case Ground
Pin 1, 3, 5, 7 to be grounded

Typical performance:



Equivalent Circuit:

