

SR2442A 1-port Resonator

This product is lead-free in compliance with RoHs 2002/95/EC.

Test Conditions:

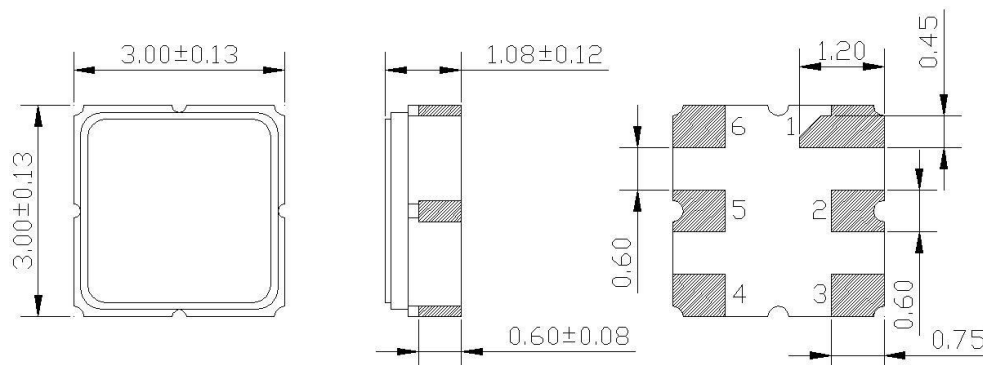
| | |
|---|-------------|
| RF power | 0 dBm |
| Temperature | 23 °C |
| DC Voltage | 0 V |
| Terminating source impedance (Z_S): | 50 Ω |
| Terminating load impedance (Z_L): | 50 Ω |

| | | minimum | typical | maximum | unit |
|--------------------------------------|--------|---------|---------|---------|--------------------|
| Centre frequency* ¹ | f_C | 2438.0 | 2442.0 | 2446.0 | MHz |
| Insertion Loss | I_L | | 1.8 | 2.2 | dB |
| Unloaded quality factor | Q_U | 2000 | 2800 | | |
| Ageing of center frequency | | | | 50 | ppm |
| Equivalent Circuit elements | | | | | |
| Motional capacitance | C_1 | | 1.52 | | fF |
| Motional inductance | L_1 | | 2.8 | | μ H |
| Motional resistance | R_1 | | 15.5 | | Ω |
| Parallel capacitance | C_0 | | 0.67 | | pF |
| Operating temperature range | | -40 | | +125 | °C |
| Storage temperature range | | -40 | | +125 | °C |
| Turnover temperature | T_0 | 15 | | 30 | °C |
| Temperature coefficient of frequency | TC_F | | -0.032 | | ppm/K ² |

*¹ Centre frequency is defined as maximum of the real part of the admittance.

Electrostatic Sensitive Device

Package: S25 / 3.0*3.0mm²

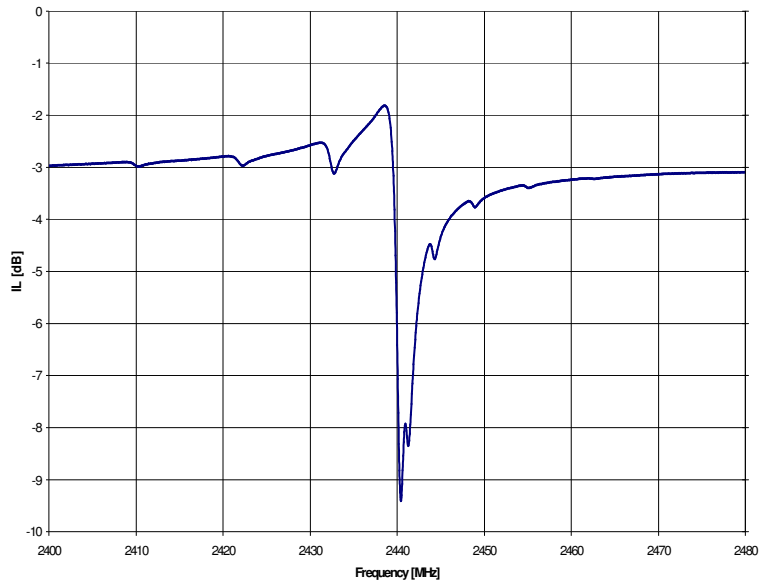


All dimensions in mm

Pin 2 Input
Pin 1, 4 Case Ground

Pin 5 Output
Pin 3, 6 to be grounded

Typical performance:



Equivalent Circuit:

