

SF948A – ZF Filter

This product is lead-free in compliance with RoHs 2002/95/EC.

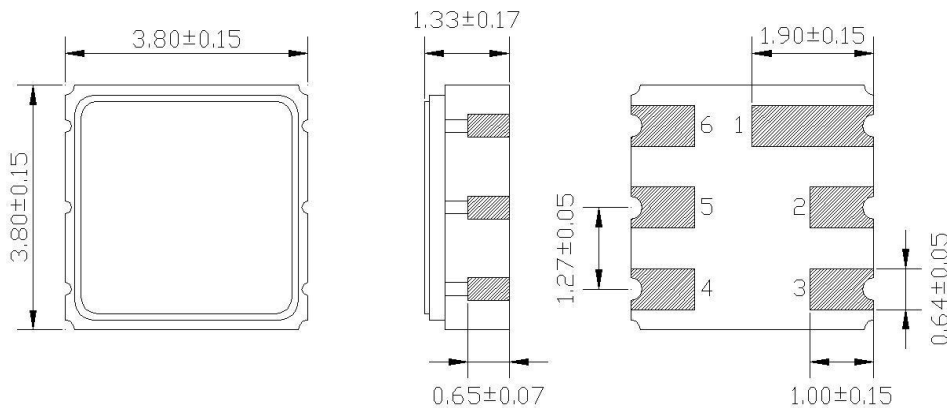
Test Conditions:

RF power	0 dBm	
Temperature	23 °C	
DC Voltage	0 V	
Terminating source impedance (Z _S):	50 Ω	No matching
Terminating load impedance (Z _L):	50 Ω	No matching

	minimum	typical	maximum	unit
Centre frequency		947.5		MHz
Insertion Loss in Pass Band 935 MHz – 960 MHz		1.5	3.8	dB
Ripple in Pass Band 935 MHz – 960 MHz		1.3	2.0	dB
VSWR in Pass Band 935 MHz – 960 MHz		2.6	3	
Rejection				
100 MHz – 885 MHz	32	35		dB
885 MHz – 910 MHz	45	50		dB
910 MHz – 915 MHz	32	40		dB
980 MHz – 1000 MHz	22	60		dB
1000 MHz – 2000 MHz	35	42		dB
RF Power			25	dBm
Operating temperature range	-10		+75	°C
Storage temperature range	-40		+85	°C
Temperature coefficient of frequency		-31		ppm/K

Electrostatic Sensitive Device

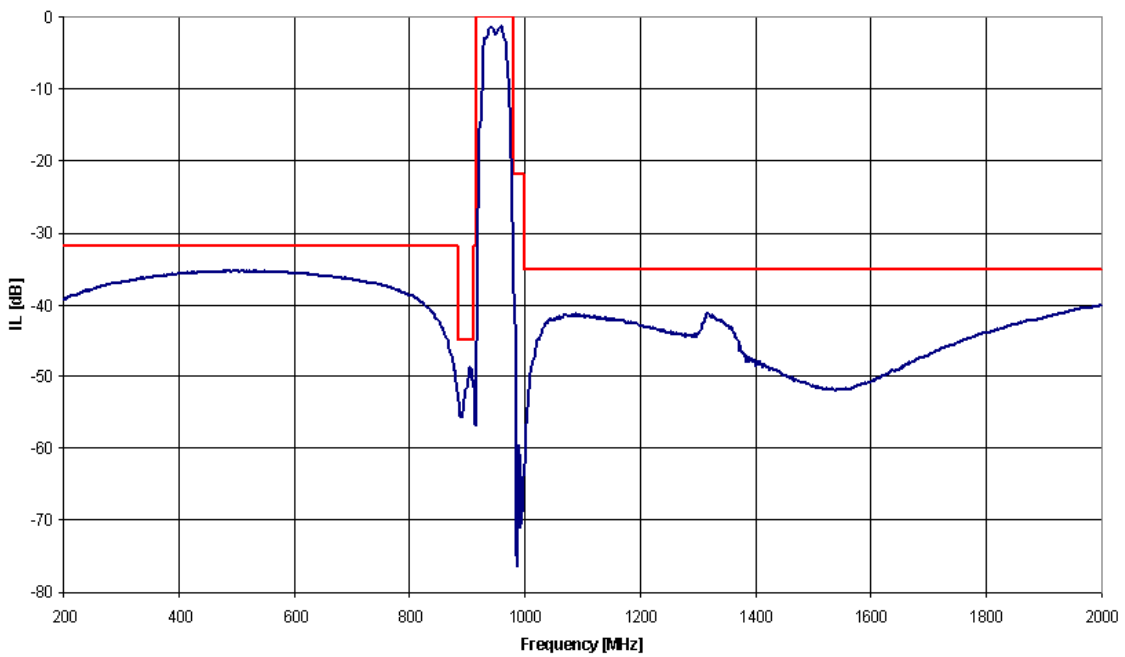
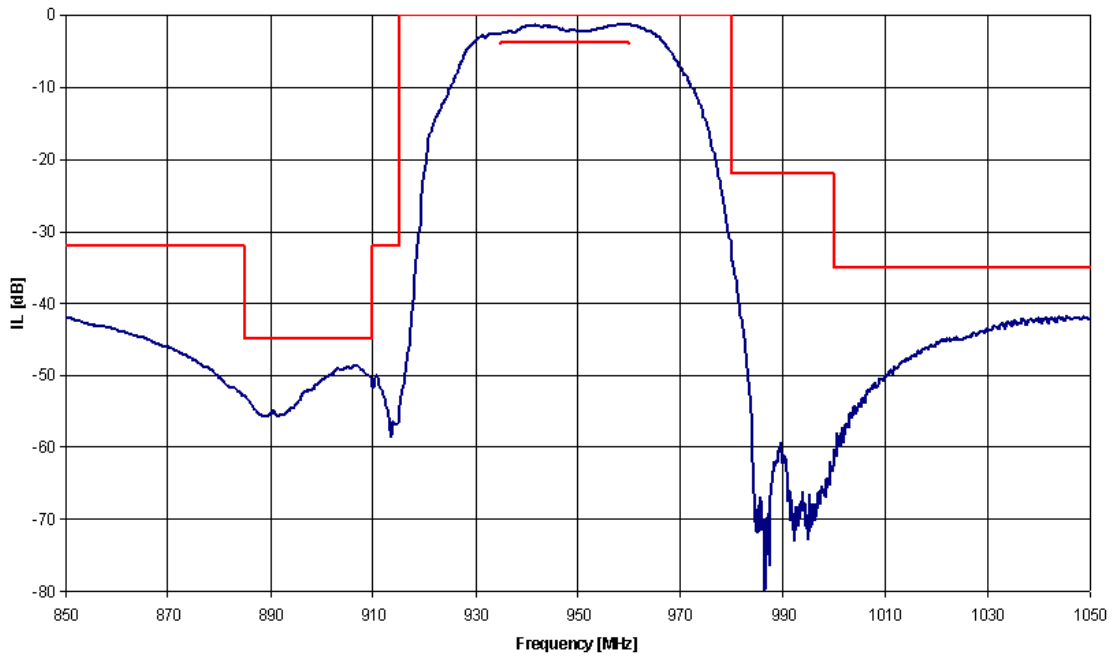
Package: S35 / 3.8x3.8mm²



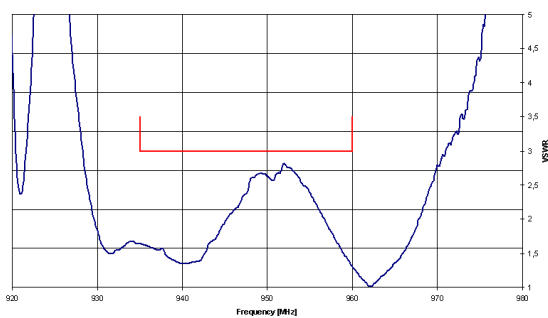
All dimensions in mm

Pin 1	Case ground	Pin 4	Case ground
Pin 2	Input	Pin 5	Output
Pin 3	Case ground	Pin 6	Case ground

Typical performance:



VSWR in



VSWR out

