

SF434I Low Loss RF Filter for ISM applications

This product is lead-free in compliance with RoHs 2002/95/EC.

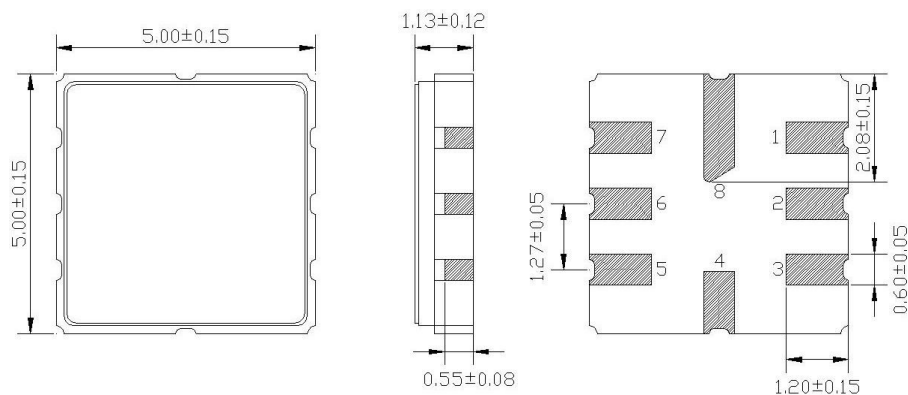
Test Conditions:

RF power	0 dBm	
Temperature	23 °C	
DC Voltage	6 V	
Terminating source impedance (Z _S):	50 Ω	No Matching
Terminating load impedance (Z _L):	50 Ω	No Matching

	minimum	typical	maximum	unit
Centre frequency		433.42		MHz
Insertion Loss in Pass Band 432.92 – 433.92 MHz		2.1	3	dB
Ripple in Pass Band 432.92 – 433.92 MHz		0.2	0.9	dB
Rejection				dB
300 kHz – 425 MHz	45	50		dB
442.5 MHz – 450 MHz	30	35		dB
450 MHz – 1000 MHz	40	45		dB
RF Power			27	dBm
Operating temperature range	-40		+85	°C
Storage temperature range	-40		+85	°C
Temperature coefficient of frequency		-31.0		ppm/K

Electrostatic Sensitive Device

Package: S52 / 5.0*5.0mm²



All dimensions in mm

Pin 2	Input	Pin 4, 8	Case Ground
Pin 5	Output	Pin 3, 7	to be grounded
Pin 1	Input Ground	Pin 6	Output Ground

Typical performance:

