

**SF1220A**  
**IF Filter for CA-TV-Head end, 1-channel**  
**This product is lead-free in compliance with RoHs 2002/95/EC.**

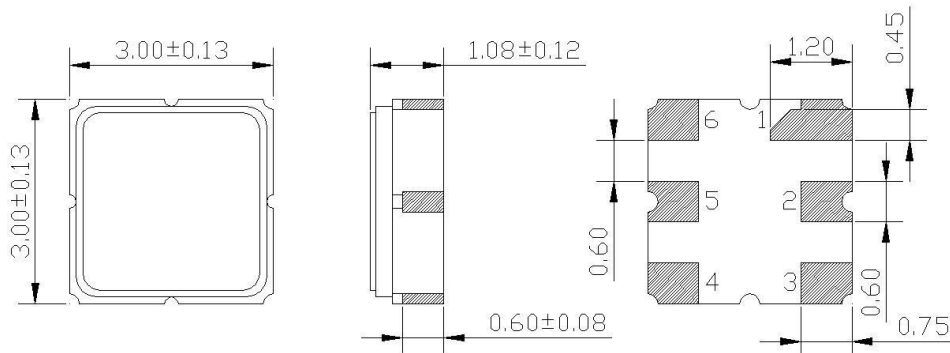
**Test Conditions:**

RF power	0 dBm	
Temperature	23 °C	
DC Voltage	0 V	
Terminating source impedance (Z <sub>S</sub> ):	50 Ω	No matching
Terminating load impedance (Z <sub>L</sub> ):	50 Ω	No matching

	minimum	typical	maximum	unit
Centre frequency		1220		MHz
Insertion Loss in Passband 1216 MHz – 1224 MHz		2.2	3.0	dB
Ripple in Pass Band 1216 MHz – 1224 MHz		0.3	0.8	dB
Rejection				dB
100 MHz – 980 MHz	-45	-50		dB
980 MHz – 1190 MHz	-37	-40		dB
1260 MHz – 1380 MHz	-45	-50		dB
1380 MHz – 1700 MHz	-38	-42		dB
1700 MHz – 2500 MHz	-30	-33		dB
Operating temperature range	-10		+70	°C
Storage temperature range	-40		+85	°C
Temperature coefficient of frequency		-31		ppm/K <sup>2</sup>

**Electrostatic Sensitive Device**

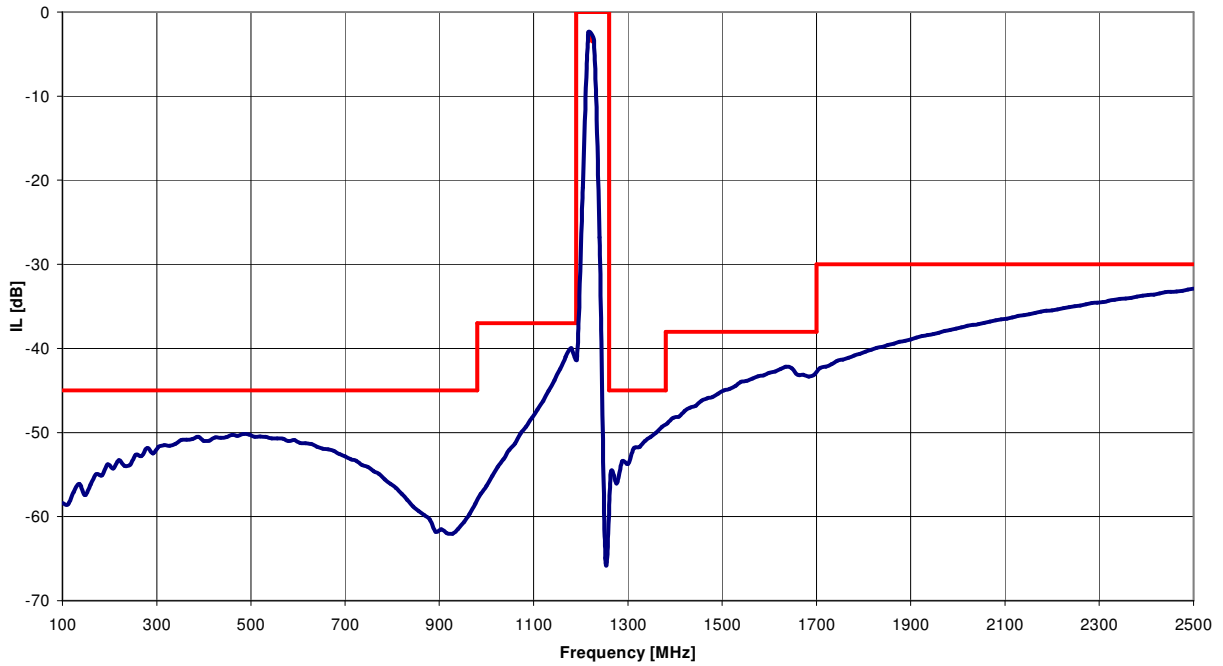
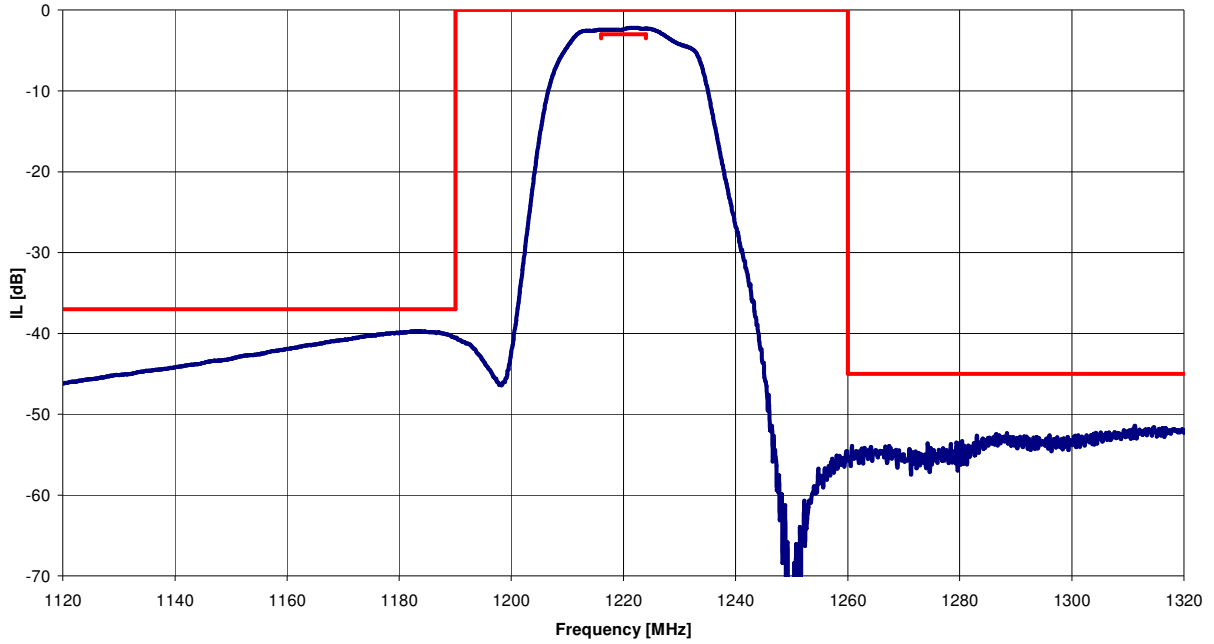
**Package: S25 / 3.0x3.0mm<sup>2</sup>**



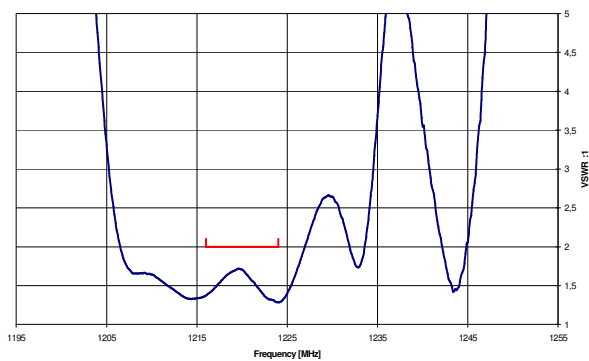
All dimensions in mm

Pin 2 Input                      Pin 1, 4 Case ground  
 Pin 5 Output                    Pin 3, 6 to be grounded

**Typical performance:**



**VSWR in**



**VSWR out**

