

SR915B 2-port Resonator

This product is lead-free in compliance with RoHs 2002/95/EC.

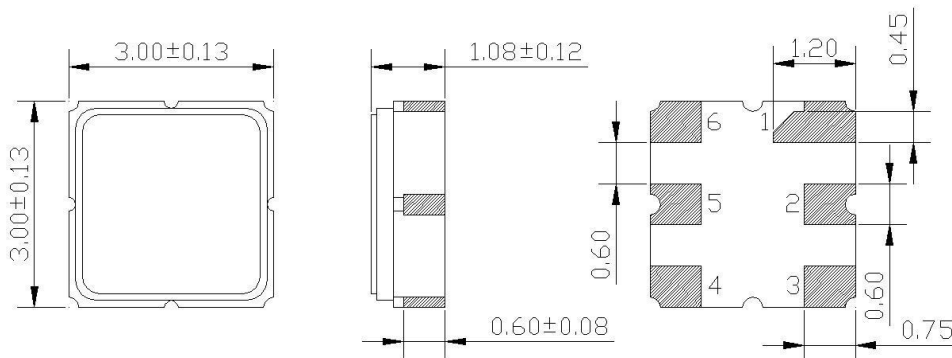
Test Conditions:

RF power	0 dBm
Temperature	23 °C
DC Voltage	0 V
Terminating source impedance (Z_S):	50 Ω
Terminating load impedance (Z_L):	50 Ω

		minimum	typical	maximum	unit
Centre frequency	f_C	914.7	915	915.3	MHz
Insertion Loss	I_L		8.0	9.0	dB
Loaded quality factor	Q_L	3600	4500		
Unloaded quality factor	Q_U	6000	7500		
Ageing of center frequency				50	ppm
Equivalent Circuit elements					
Motional capacitance	C_1		0.216		fF
Motional inductance	L_1		140.08		μ H
Motional resistance	R_1		110		Ω
Parallel capacitance	C_0		2.2		pF
Operating temperature range		-40		+125	°C
Storage temperature range		-40		+125	°C
Turnover temperature	T_0	15		30	°C
Temperature coefficient of frequency	TC_F		-0.032		ppm/K ²

Electrostatic Sensitive Device

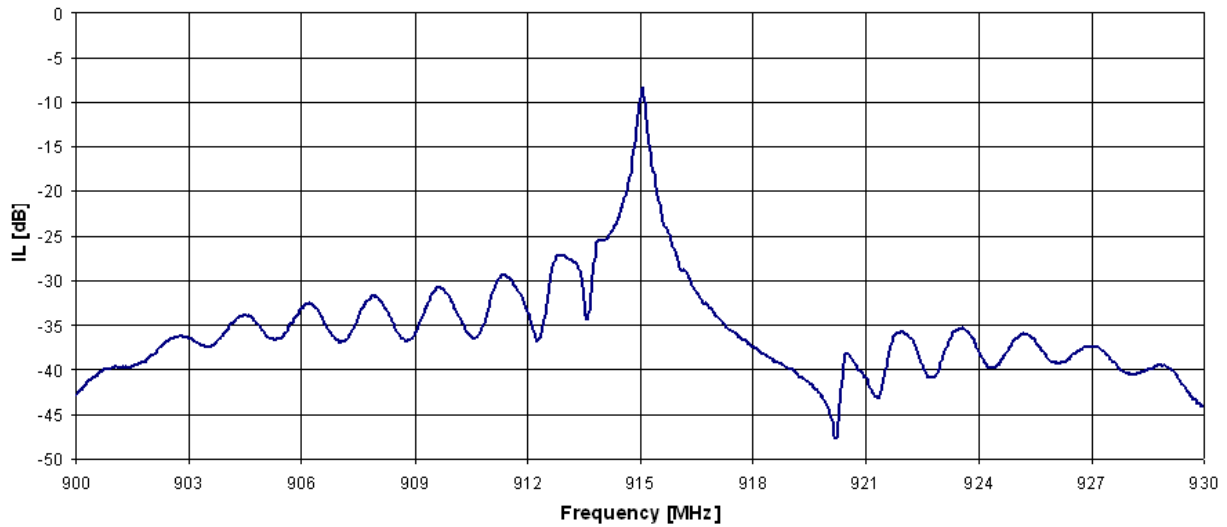
Package: S25 / 3.0*3.0mm²



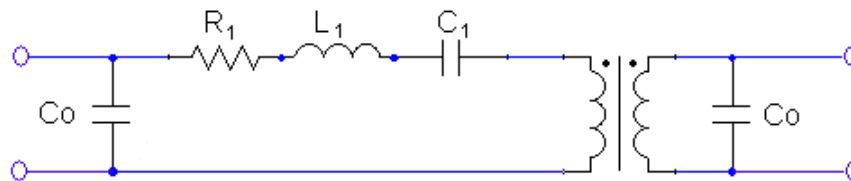
All dimensions in mm

Pin 2 Input Pin 5 Output
Pin 1, 4 Case Ground Pin 3, 6 to be grounded

Typical performance:



Equivalent Circuit:



C_0 2.2 pF
 C_1 0.216 fF

L_1 140.08 μ H
 R_1 110 Ohm