

## SR434E 1-port Resonator

This product is lead-free in compliance with RoHs 2002/95/EC.

### Test Conditions:

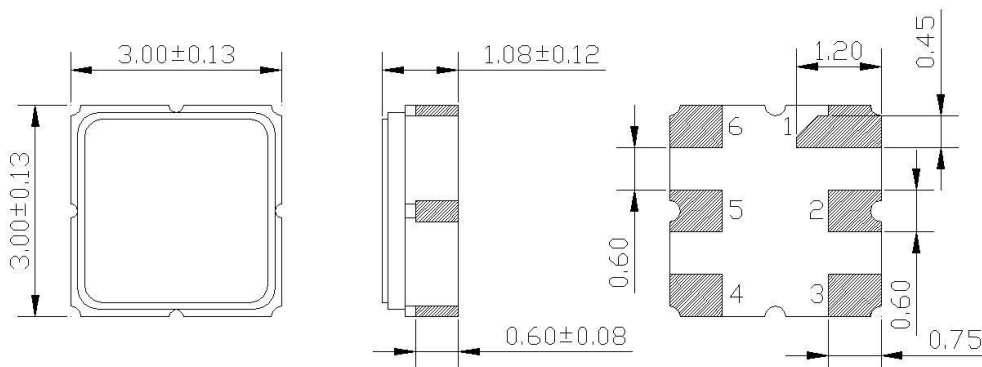
RF power	0 dBm
Temperature	23 °C
DC Voltage	10 V
Terminating source impedance ( $Z_S$ ):	50 $\Omega$
Terminating load impedance ( $Z_L$ ):	50 $\Omega$

		minimum	typical	maximum	unit
Centre frequency	$f_C$	433.845	433.92	433.995	MHz
Insertion Loss	$I_L$		0.7	1.1	dB
Unloaded quality factor	$Q_U$	9000	11.500		
Ageing of center frequency				50	ppm
Equivalent Circuit elements					
Motional capacitance	$C_1$		3.3		fF
Motional inductance	$L_1$		40.77		nH
Motional resistance	$R_1$		9.8		$\Omega$
Parallel capacitance	$C_0$		3.56		pF
Operating temperature range		-40		+125	°C
Storage temperature range		-40		+125	°C
Turnover temperature	$T_0$	15		30	°C
Temperature coefficient of frequency	$TC_F$		-0.032		ppm/K <sup>2</sup>

\*1 Centre frequency is defined as maximum of the real part of the admittance.

**Electrostatic Sensitive Device**

**Package: S25 / 3.0\*3.0mm<sup>2</sup>**

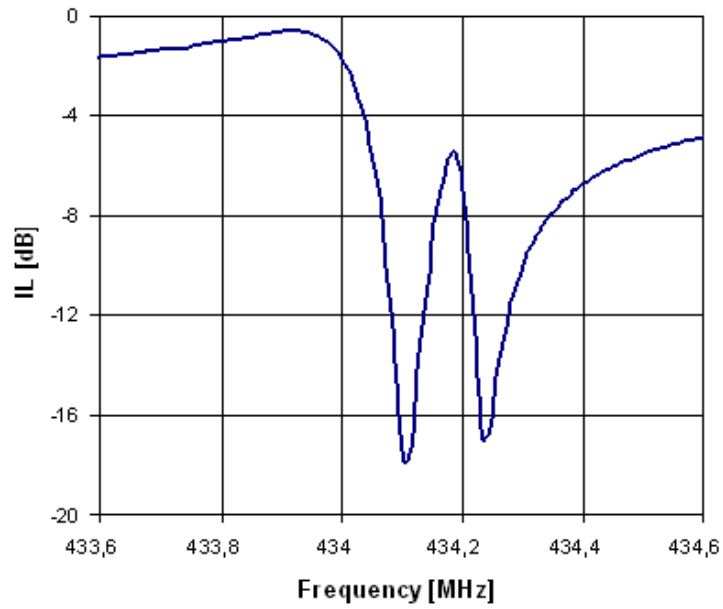


All dimensions in mm

Pin 2 Input  
Pin 1, 4 Case Ground

Pin 5 Output  
Pin 3, 6 to be grounded

## Typical performance:



## Equivalent Circuit:

