

SR2442B 1-port Resonator

This product is lead-free in compliance with RoHs 2002/95/EC.

Test Conditions:

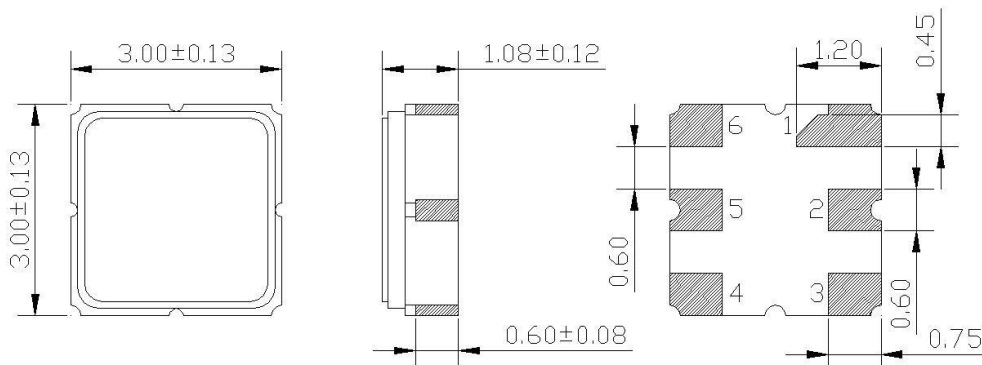
RF power	-10 dBm
Temperature	23 °C
DC Voltage	0 V
Terminating source impedance (Z_S):	50 Ω
Terminating load impedance (Z_L):	50 Ω

		minimum	typical	maximum	unit
Centre frequency* ¹	f_C	2438.0	2442.0	2446.0	MHz
Insertion Loss	I_L		0.9	1.5	dB
Unloaded quality factor	Q_U	7500	9400		
Ageing of center frequency				50	ppm
Equivalent Circuit elements					
Motional capacitance	C_1		0.387		fF
Motional inductance	L_1		11.005		μ H
Motional resistance	R_1		17.7		Ω
Parallel capacitance	C_0		1.2		pF
Operating temperature range		-40		+125	°C
Storage temperature range		-40		+125	°C
Turnover temperature	T_0	15		30	°C
Temperature coefficient of frequency	TC_F		-0.060		ppm/K ²

*¹ Centre frequency is defined as minimum of s11.

Electrostatic Sensitive Device

Package: S25 / 3.0*3.0mm²

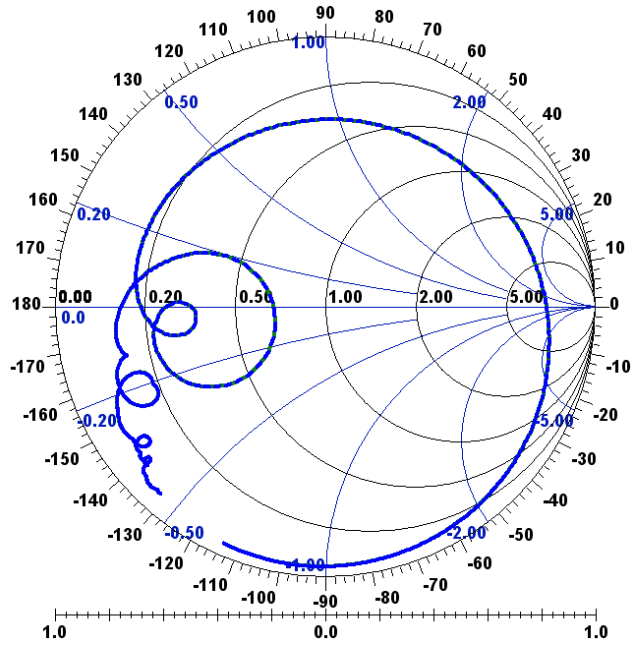


All dimensions in mm

Pin 2 Input
 Pin 1, 4 Case Ground

Pin 5 Output
 Pin 3, 6 to be grounded

Typical performance:



Equivalent Circuit:

