

## SF915F – Low Loss RF Filter for ISM Application

This product is lead-free in compliance with RoHs 2002/95/EC.

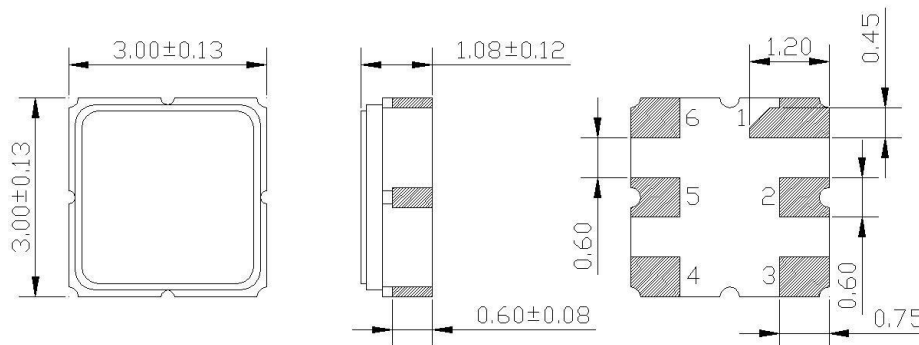
### Test Conditions:

|   |             |             |
|---|-------------|-------------|
| RF power                                | 0 dBm       |             |
| Temperature                             | 23 °C       |             |
| DC Voltage                              | 0 V         |             |
| Terminating source impedance ( $Z_S$ ): | 50 $\Omega$ | No matching |
| Terminating load impedance ( $Z_L$ ):   | 50 $\Omega$ | No matching |

|  | minimum | typical | maximum | unit               |
|--|---------|---------|---------|--------------------|
| Centre frequency                                 |         | 915     |         | MHz                |
| Insertion Loss in Pass Band<br>910 MHz – 920 MHz |         | 1.7     | 2.7     | dB                 |
| Ripple in Pass Band<br>910 MHz – 920 MHz         |         | 0.3     | 1.0     | dB                 |
| VSWR Loss in Pass Band<br>910 MHz – 920 MHz      |         | 1.5     | 1.8     |                    |
| Rejection  |         |         |         |                    |
| 100 MHz – 890 MHz                                | 45      | 55      |         | dB                 |
| 890 MHz – 900 MHz                                | 20      | 35      |         | dB                 |
| 933 MHz – 945 MHz                                | 20      | 45      |         | dB                 |
| 945 MHz – 1500 MHz                               | 45      | 50      |         | dB                 |
| 1500 MHz – 2500 MHz                              | 35      | 42      |         | dB                 |
| RF Power   |         |         | 25      | dBm                |
| Operating temperature range                      | -40     |         | +85     | °C                 |
| Storage temperature range                        | -40     |         | +85     | °C                 |
| Temperature coefficient of frequency             |         | -31     |         | ppm/K <sup>2</sup> |

### Electrostatic Sensitive Device

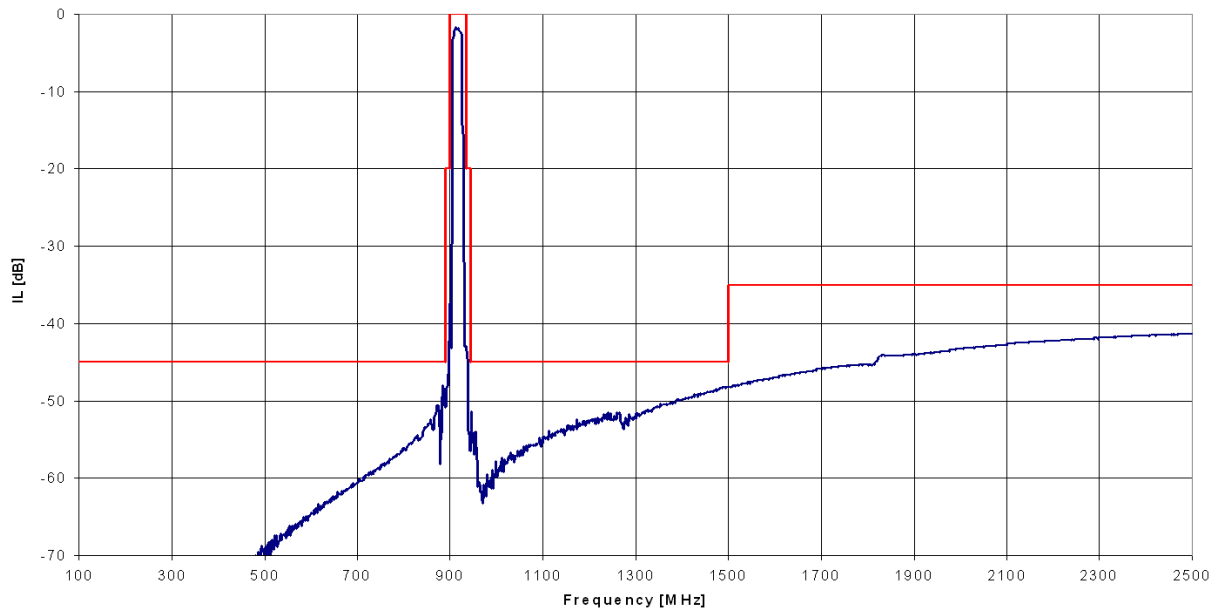
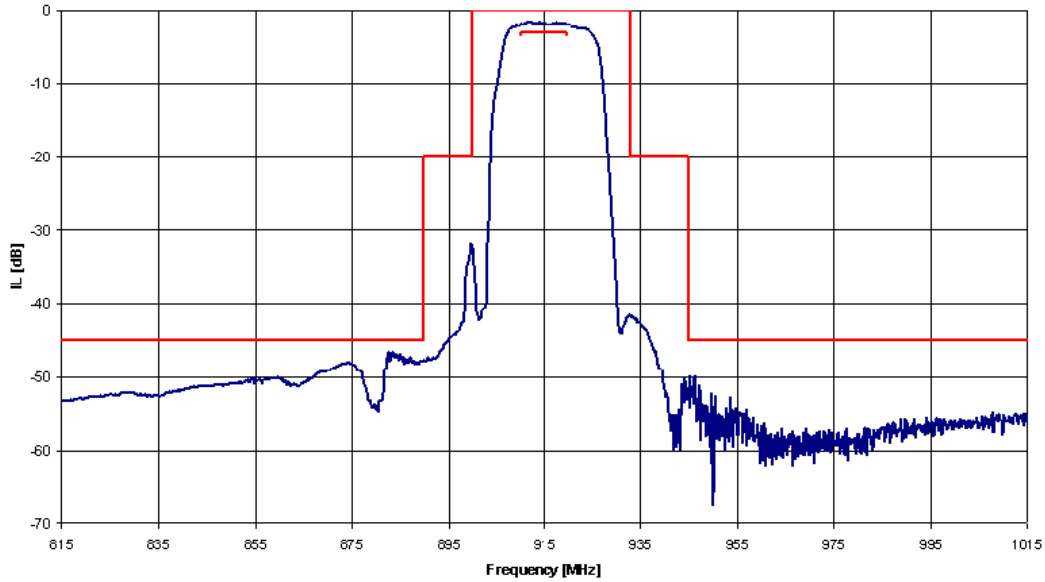
### Package: S25 / 3.0\*3.0mm<sup>2</sup>



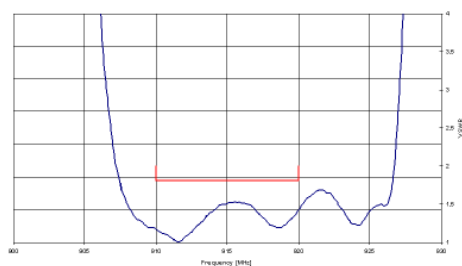
All dimensions in mm

|       |                |       |                |
|-------|----------------|-------|----------------|
| Pin 1 | Case ground    | Pin 4 | Case ground    |
| Pin 2 | Input          | Pin 5 | Output         |
| Pin 3 | To be grounded | Pin 6 | To be grounded |

**Typical performance:**



**VSWR in**



**VSWR out**

