

## SF434K Low Loss RF Filter for ISM applications

This product is lead-free in compliance with RoHs 2002/95/EC.

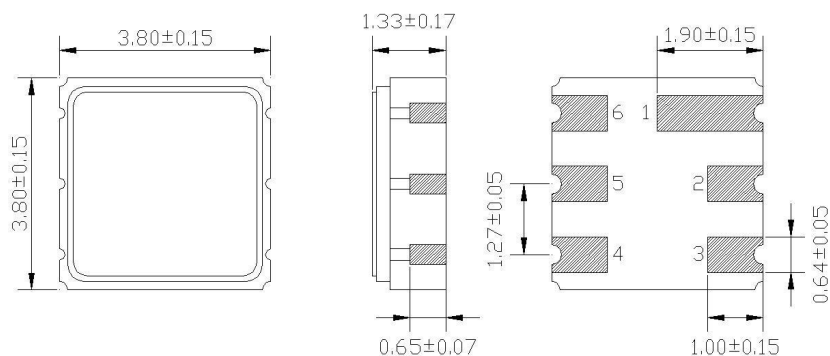
### Test Conditions:

RF power	0 dBm	
Temperature	23 °C	
DC Voltage	6 V	
Terminating source impedance ( $Z_S$ ):	50 $\Omega$	No Matching
Terminating load impedance ( $Z_L$ ):	50 $\Omega$	No Matching

	minimum	typical	maximum	unit
Centre frequency		433.92		MHz
Insertion Loss in Pass Band 433.05 – 434.79 MHz		2.1	3	dB
Ripple in Pass Band 433.05 – 434.79 MHz		0.8	1.3	dB
Rejection				dB
100 MHz – 425 MHz	45	50		dB
425 MHz – 427 MHz	20	25		dB
443 MHz – 445 MHz	25	35		dB
445 MHz – 450 MHz	30	40		dB
450 MHz – 700 MHz	35	45		dB
700 MHz – 2000 MHz	30	35		dB
2000 MHz – 2500 MHz	20	25		dB
RF Power			27	dBm
Operating temperature range	-40		+85	°C
Storage temperature range	-40		+85	°C
Temperature coefficient of frequency		-31		ppm/K

Electrostatic Sensitive Device

Package: S35 / 3.8\*3.8 mm<sup>2</sup>



All dimensions in mm

Pin 2                      Input  
Pin 5                      Output  
Pin 1, 3, 4, 6            to be grounded

**Typical performance:**

