

SF434E Low Loss RF Filter for ISM applications

This product is lead-free in compliance with RoHs 2002/95/EC.

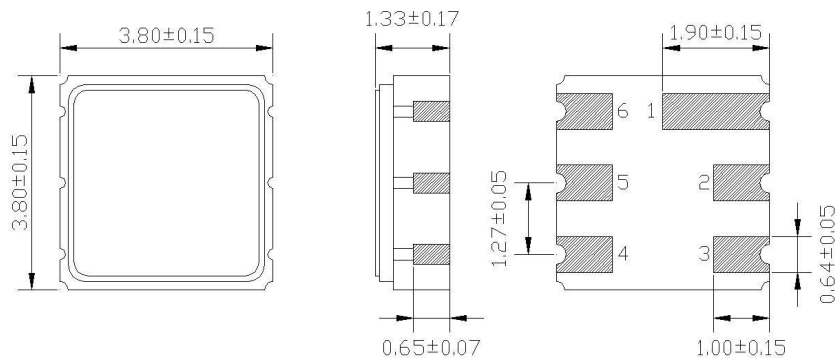
Test Conditions:

RF power	0 dBm	
Temperature	23 °C	
DC Voltage	6 V	
Terminating source impedance (Z _S):	50 Ω	No Matching
Terminating load impedance (Z _L):	50 Ω	No Matching

	minimum	typical	maximum	unit
Centre frequency		433.92		MHz
Insertion Loss in Pass Band 433.42 MHz – 434.42 MHz		2.1	3	dB
Ripple in Pass Band 433.42 MHz – 434.42 MHz		0.6	1.0	dB
VSWR in Pass Band 433.42 MHz – 434.42 MHz		1.3	1.6	
Rejection				
100 kHz – 425 MHz	45	50		dB
442.5 MHz – 450 MHz	25	30		dB
450 MHz – 1000 MHz	35	40		dB
1000 MHz – 2000 MHz	30	35		dB
RF Power			27	dBm
Operating temperature range	-40		+85	°C
Storage temperature range	-40		+85	°C
Temperature coefficient of frequency		-31		ppm/K

Electrostatic Sensitive Device

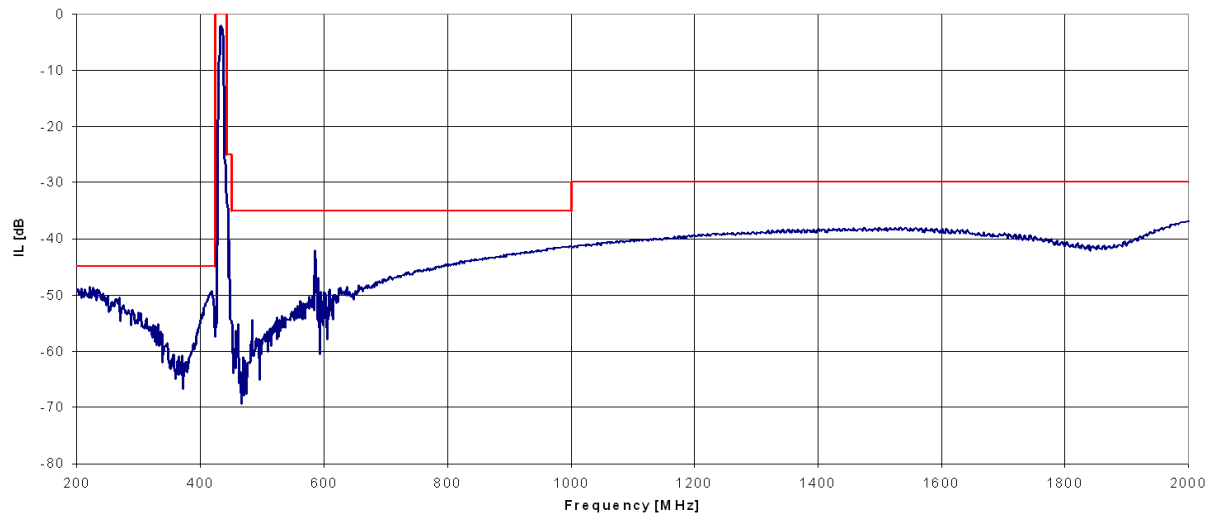
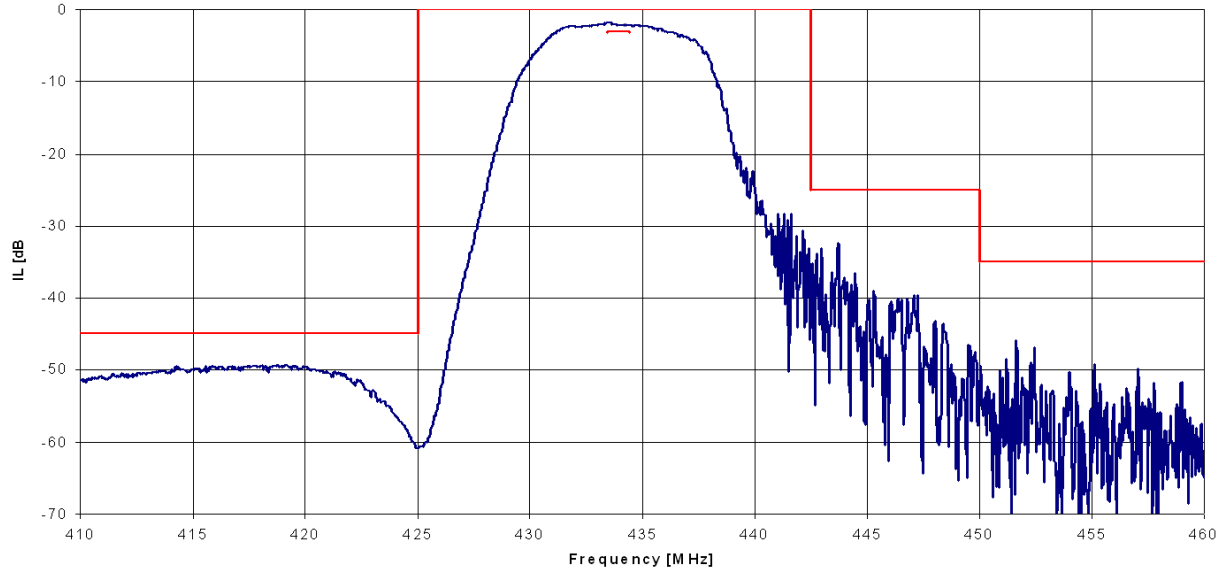
Package: S35 / 3.8*3.8 mm²



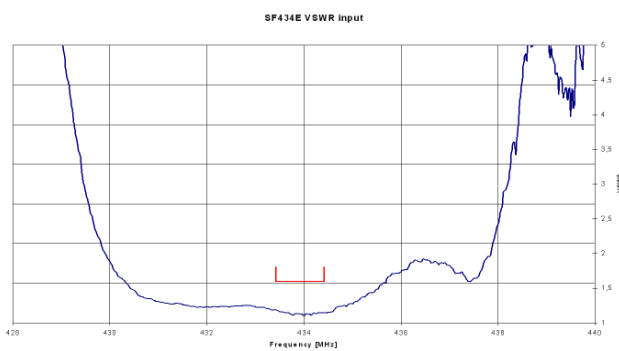
All dimensions in mm

Pin 2 Input
 Pin 5 Output
 Pin 1, 3, 4, 6 to be grounded

Typical performance:



VSWR in



VSWR out

