

SF1220B
IF Filter for C-TV-Head end, 2-channel
This product is lead-free in compliance with RoHs 2002/95/EC.

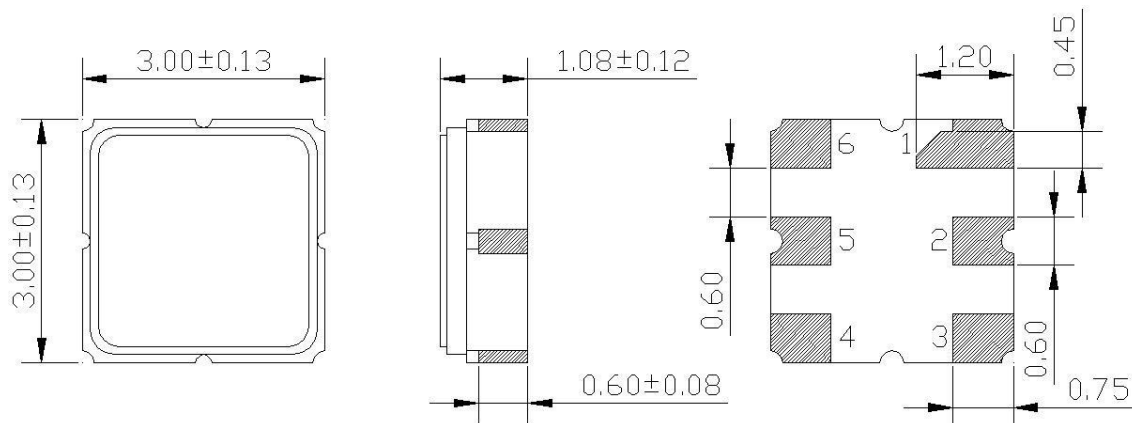
Test Conditions:

RF power	0 dBm		
Temperature	23 °C		
DC Voltage	0 V		
Terminating source impedance (Z _S):	50 Ω	No matching	
Terminating load impedance (Z _L):	50 Ω	No matching	

	minimum	typical	maximum	unit
Centre frequency		1220		MHz
Insertion Loss in Passband 1208 MHz – 1232 MHz		1.5	3.0	dB
Ripple in Pass Band 1208 MHz – 1232 MHz		1.0	1.5	dB
Rejection				dB
100 MHz – 1160 MHz	33	36		dB
1275 MHz – 2500 MHz	37	39		dB
Operating temperature range	-10		+70	°C
Storage temperature range	-40		+85	°C
Temperature coefficient of frequency		-31		ppm/K ²

Electrostatic Sensitive Device

Package: S25 / 3.0x3.0mm²

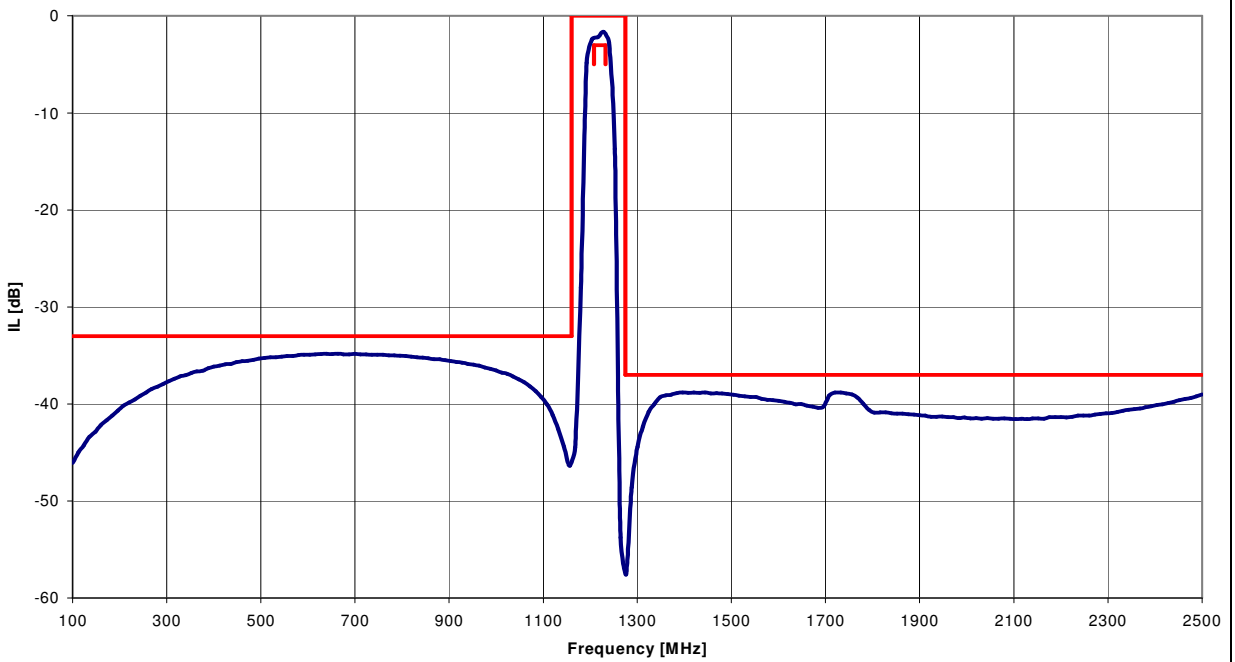
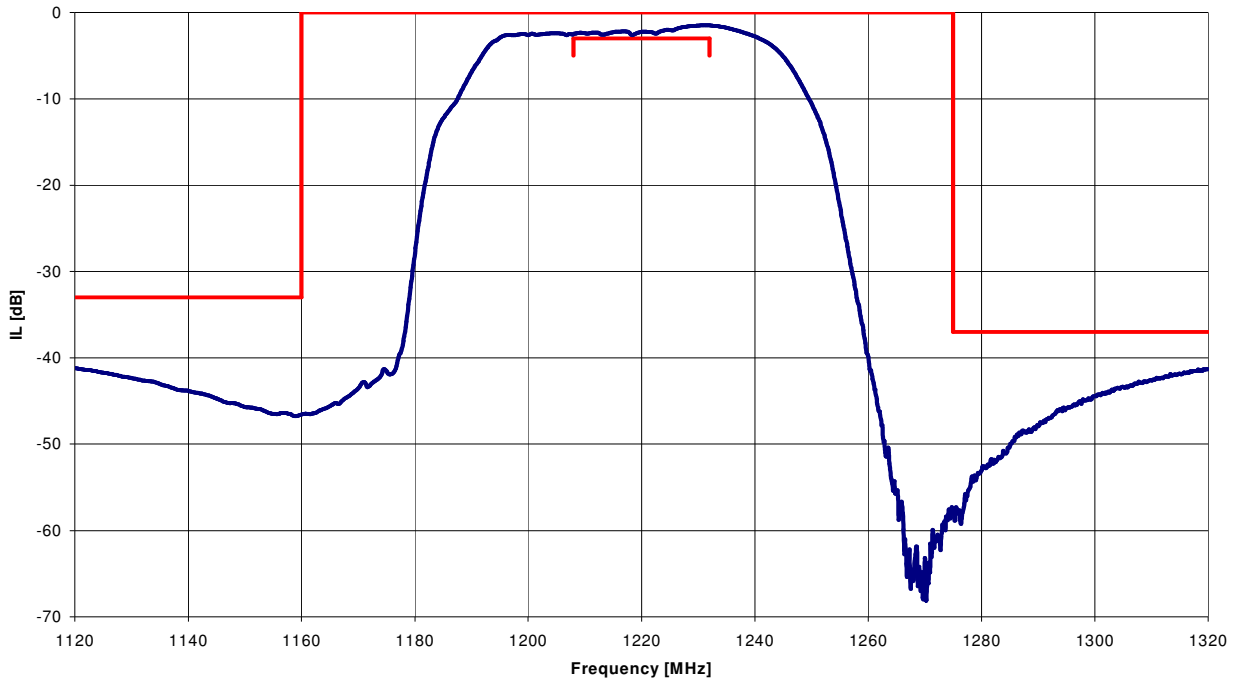


All dimensions in mm

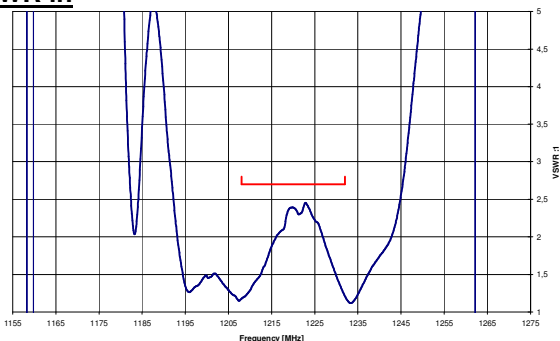
Pin 2 Input
 Pin 5 Output

Pin 1, 4 Case ground
 Pin 3, 6 to be grounded

Typical performance:



VSWR in



VSWR out

